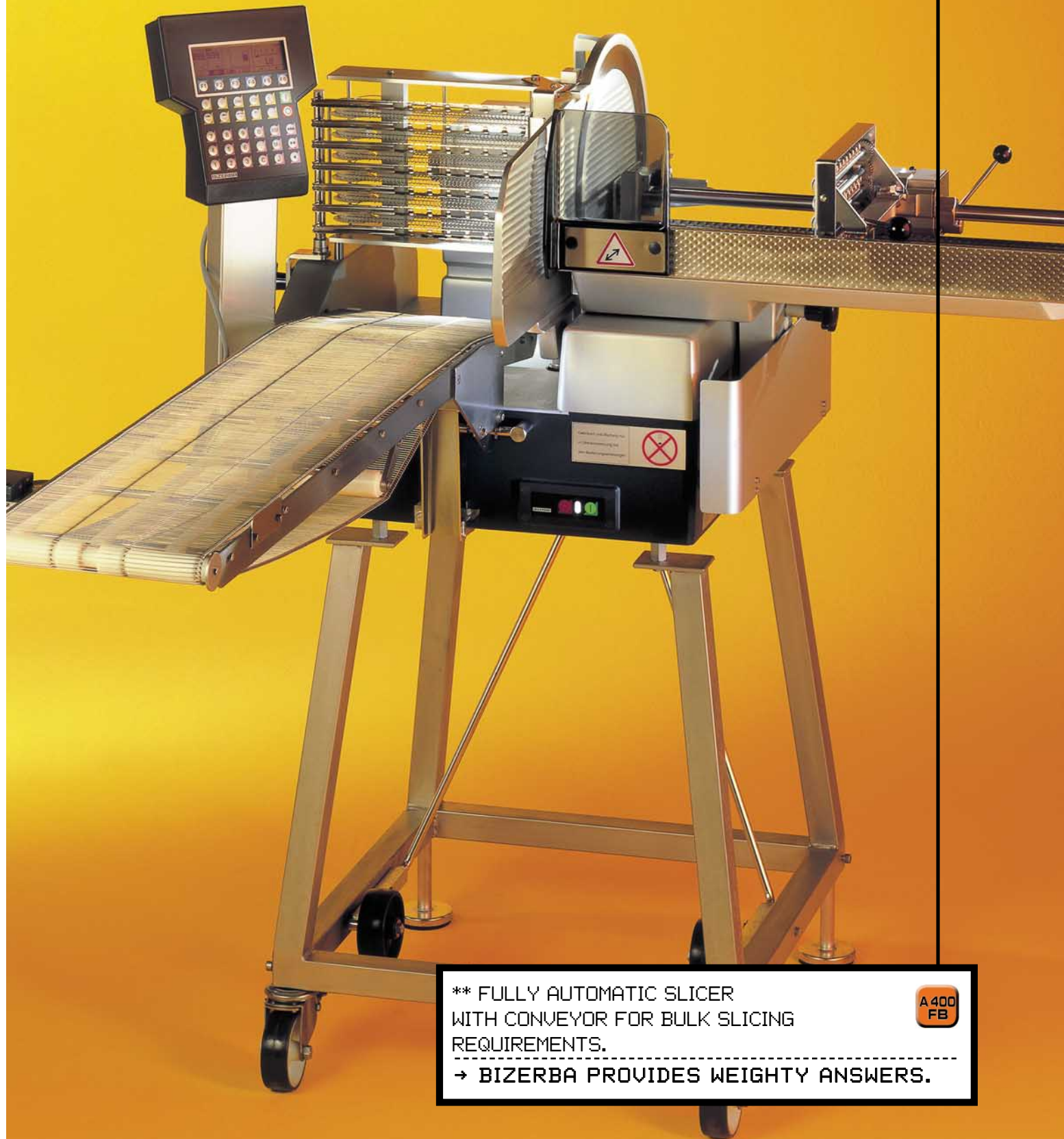


III/109e

**BIZERBA****A 400 FB****FULLY AUTOMATIC SLICER**

**** FULLY AUTOMATIC SLICER
WITH CONVEYOR FOR BULK SLICING
REQUIREMENTS.**

→ BIZERBA PROVIDES WEIGHTY ANSWERS.

**A 400
FB**

→ A 400 FB





HOW TO ACHIEVE

OPTIMUM SLICING RESULTS?

The A 400 FB offers a wide range of slice positioning options.

- Stacks up to 60 mm (2.4") in height, also multiple stacks depending on the product size
- Slices deposited in-row in any optional position
- Positioning with any required configuration / number of slices

There are two carriage versions available to permit long products to be sliced efficiently and quickly in a single operation without having to reclamp the product gripper. This also minimizes loss due to offcuts for an optimum product yield.

Even the most difficult products can be sliced with optimum slicing results on the A 400 FB as a result of its programmable, infinitely variable cutting speed from 30 to 55 strokes a minute. A powerful blade drive system and the tried and tested concave ground blade made of special steel with a hard chrome coating also ensure the production of high-quality slices. A product support attached directly to the cutting point effectively prevents the product from sliding down from the cutting area. The result: Clean-cut, accurate slices.

→ State-of-the-art technology

The clearly arranged control panel with splash-proof tactile-type keypad and an easily legible LCD display with graphic capability forms the nerve centre of the A 400 FB. It is positioned at an ergonomically convenient height away from the risk of soiling or splashing. Up to 99 different slicing programs can be stored in the A 400 FB and accessed by entering the relevant number. The following functions can be stored with the aid of a simple operating prompt system: Stacks, shingled layers, positioning in three row positions, number of slices, number of portions, carriage speed, product size, slice thickness.



**** WITH A PROGRAMMABLE, INFINITELY VARIABLE CUTTING SPEED**

→ Operation

Safety, precision and proven Bizerba quality are the outstanding features of the fully automatic slicer A 400 FB. Due to a practical system of operator prompting for the input and programming of machine functions, handling and operation are simplicity itself. The stainless steel stand on casters (optional in Germany) and the compact design make the A 400 FB highly mobile and convenient to use, even in packaging or preparation rooms where space is at a premium.

→ Cleaning and maintenance

The all-round precision machined anodized aluminium / stainless steel finish with its closed, smooth surfaces does full justice to a sophisticated high-tech product of the calibre of the A 400 FB. To ensure safe, simple cleaning, accessing the cleaning program closes the blade, releases the carriage to permit it to be tilted down and disables all other machine functions. The chain assembly, depositing arm, conveyor, gripper and blade cover can be removed in a few quick and simple steps. The integrated blade sharpening program offers enhanced convenience, and can be accessed simply by pressing a button. This automatically opens the blade to permit the sharpening device to be mounted. Actuating the function key causes the blade motor to start up.



→ SHARPENING DEVICE

→ Accident prevention

The mechanical safety devices and electrical installation are in line with current national and international standards.

→ STACKING





HOW TO PROCESS DIFFERENT

PRODUCTS ECONOMICALLY?

→ All in one: Automatic feed, slicing, depositing and transport

The A 400 FB is a fully automatic all-round talent when it comes to automatic slicing. It offers storage capacity for a maximum of 99 different depositing programs. Whether in shingle formation or in accurate stacks: The conveyor of the A 400 FB automatically transports the product cleanly and gently right up to the light barrier at the end of the belt.

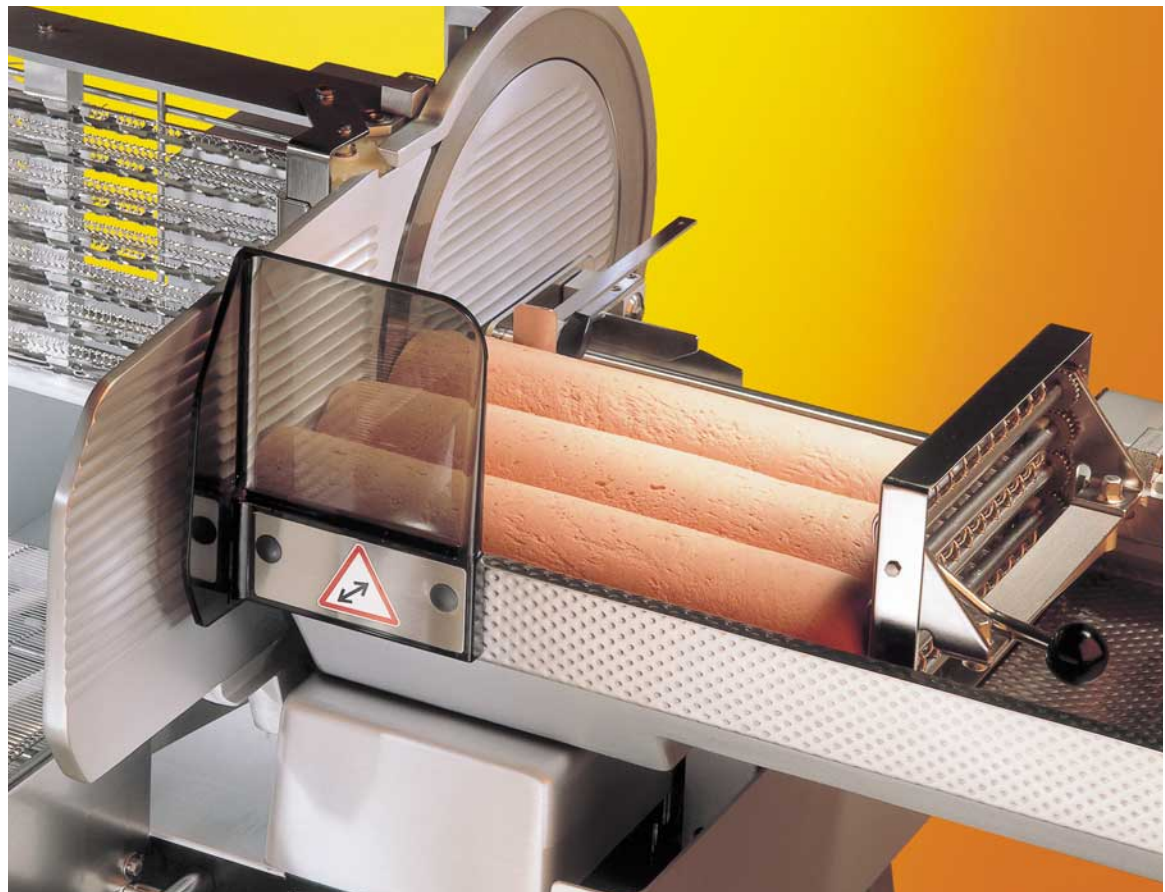
→ Application

The A 400 FB is particularly suitable for continuous industrial operation: In butchers' shops, supermarkets and delis, for large-

scale catering... wherever large quantities of different product types have to be processed and portioned economically. Cooked meat, ham, bacon, smoked and cold roasted meat, roast beef and cheese can all be sliced on the A 400 FB with optimum results.

→ Functions

The A 400 FB is a fully automatic slicing machine offering a wide range of benefits: In terms of operation, by helping optimize the work sequence and in terms of results. Neatly cut slices are portioned appetizingly and decoratively onto the conveyor belt in accordance with the selected program.



** WITH 99 DIFFERENT DEPOSITING PROGRAMS BY
SIMPLY PRESSING A BUTTON.

THE MOST IMPORTANT SPECIFICATIONS

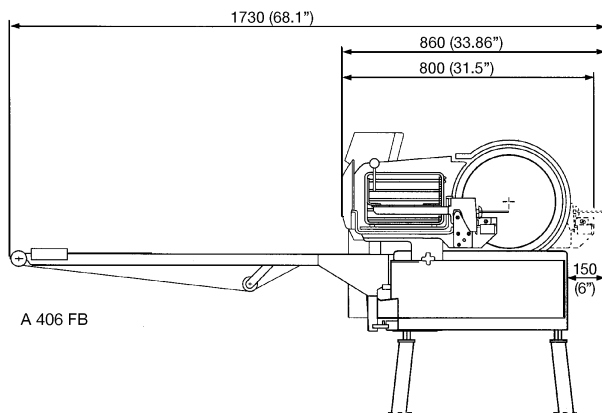


Current type	Voltage*)	Frequency	Rated amperage	Power consumption
	V	Hz	A	kW
→ 1-phase AC	230	50	3,1	0,7
→ 3-phase AC	230/400	50	2,5/1,4	0,6
→ Blade diameter:	330 mm (13")			
→ Blade speed:	266 rpm			
→ Product size:	Round: Min. 50 mm (1.97") Max. 180 mm (7") Rectangular: Min. 50 x 50 mm (1.97" x 1.97") Max. 175 x 240 mm (6.9" x 9.45")			
→ Slice thickness:	0,5-12 mm (0.02"-0.47")			
→ Program memory:	99			
→ Carriage speed:	variable between 30 and 55 strokes per minute			
→ Stack height:	max. 60 mm (2.4")			
→ Dimensions:	mm (inches)			

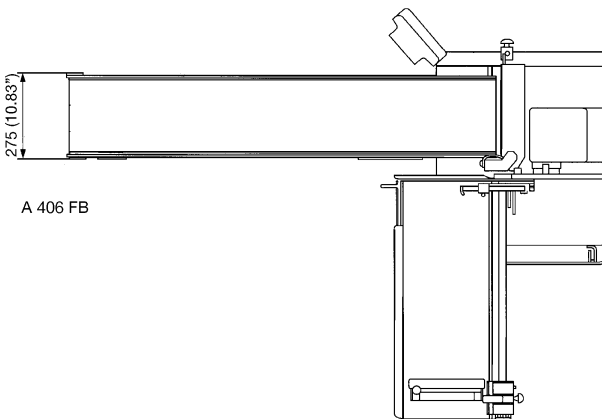
- **Space required:** (on work table)
width 410 mm (16.14"), depth 490 mm (19.3")
Reduced: width 410 mm (16.14"), depth 400 mm (15.75")
- **Work area:**
A 404 FB 1): Width 410 mm, (16.14")
depth 490 mm (19.3")
A 406 FB 2): Width 1300 mm (51.2"), depth 1730 mm (68"), height 1380 mm (54.3")
- **External dimensions:**
A 404 FB: Width 1050 mm (41.4"), depth 860 mm (33.8"), height 1380 mm (54.3")
A 406 FB: Width 1250 mm (49.2"), depth 860 mm, (33.8") height 1380 mm (54.3")
- **Gross weight:** A 404 FB / A 406 FB = 116 kg
Stand on wheels = 16 kg
- **Shipping crate:** A 404 FB / A 406 FB
= L 1300x B 900x H 1020 mm (51.2"x35.4"x40.2")

*) Different voltages depending on the country

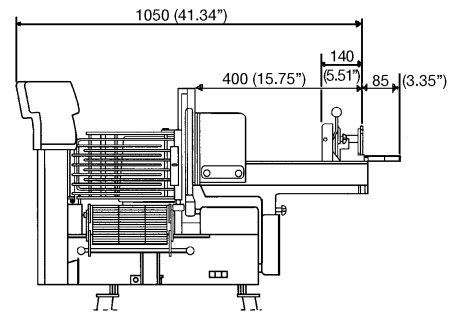
- 1) Carriage for 400 mm product length (15.75")
- 2) Carriage for 600 mm product length (23.62")



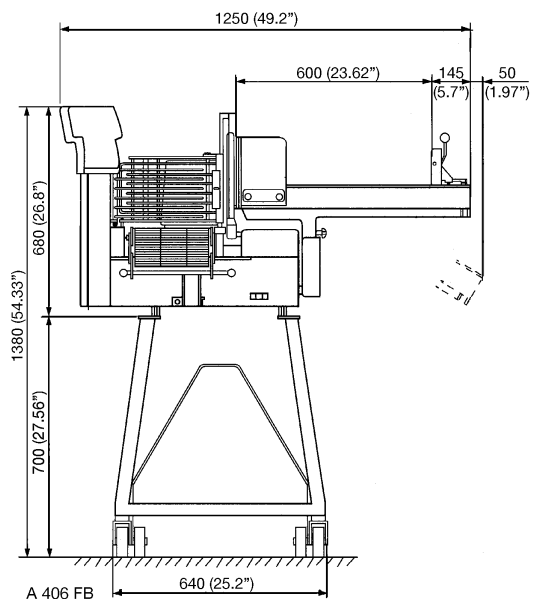
A 406 FB



A 406 FB



A 404 FB



A 406 FB



BIZERBA

→ BIZERBA PROVIDES WEIGHTY ANSWERS.